

# MPK06

**max** 600 kg

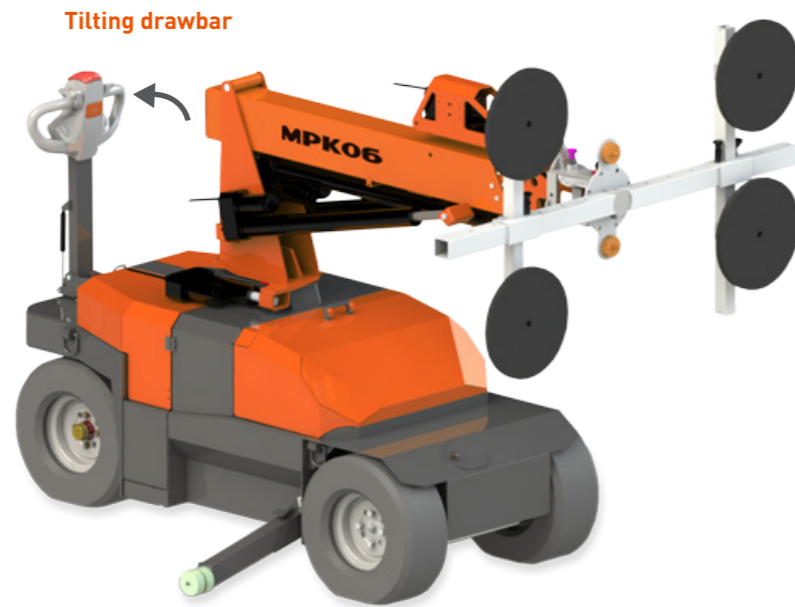
1855 x 835 x 1350 mm

The only minipicker that can be used with a manipulator with suction caps or in hook mode in compliance with EN13000 regulation. Up to three movements at the same time without losing power.

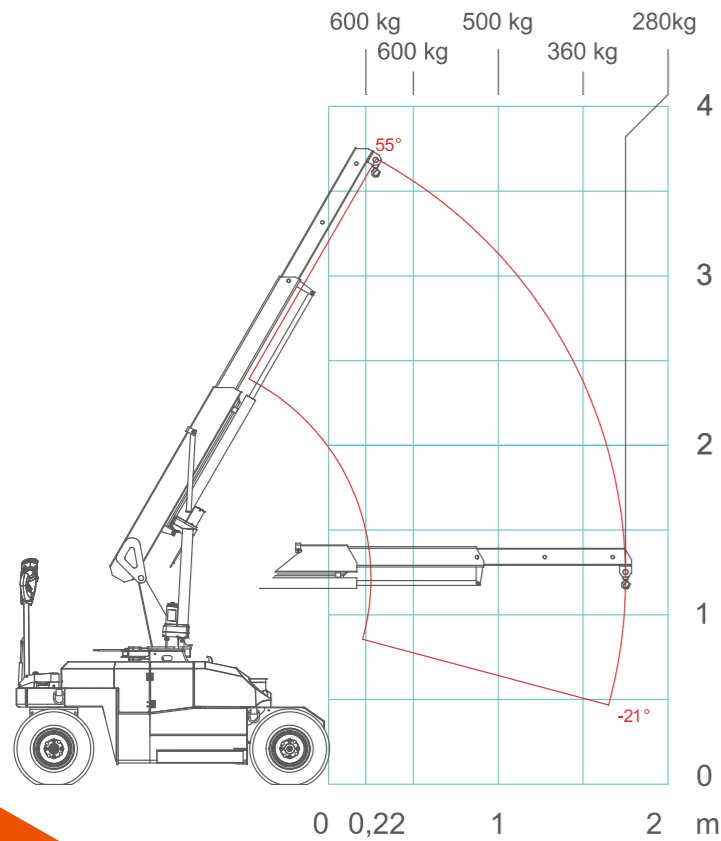


## Technical Information

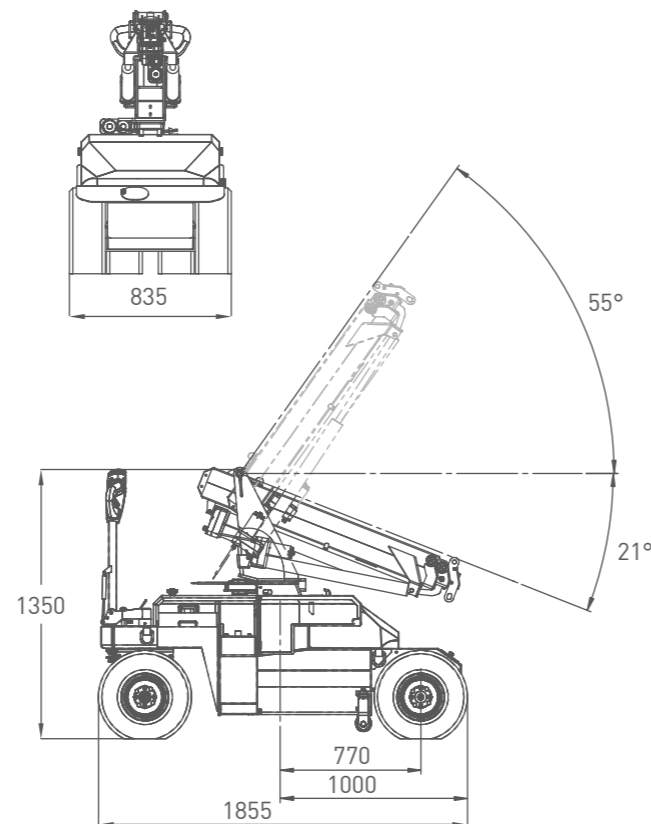
Dimension	L x W x H	1855 x 835 x 1350 mm
Crane & Options Weights	MPK06	670
	/	210
	JVM06	55
MPK06	Battery	2 Batteries 12 V 155 Ah



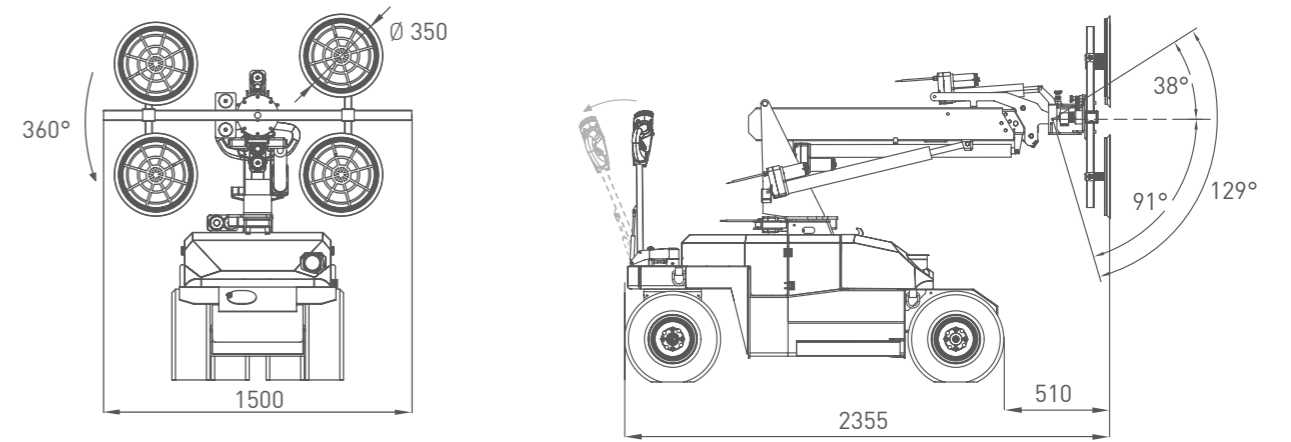
## Dimensions



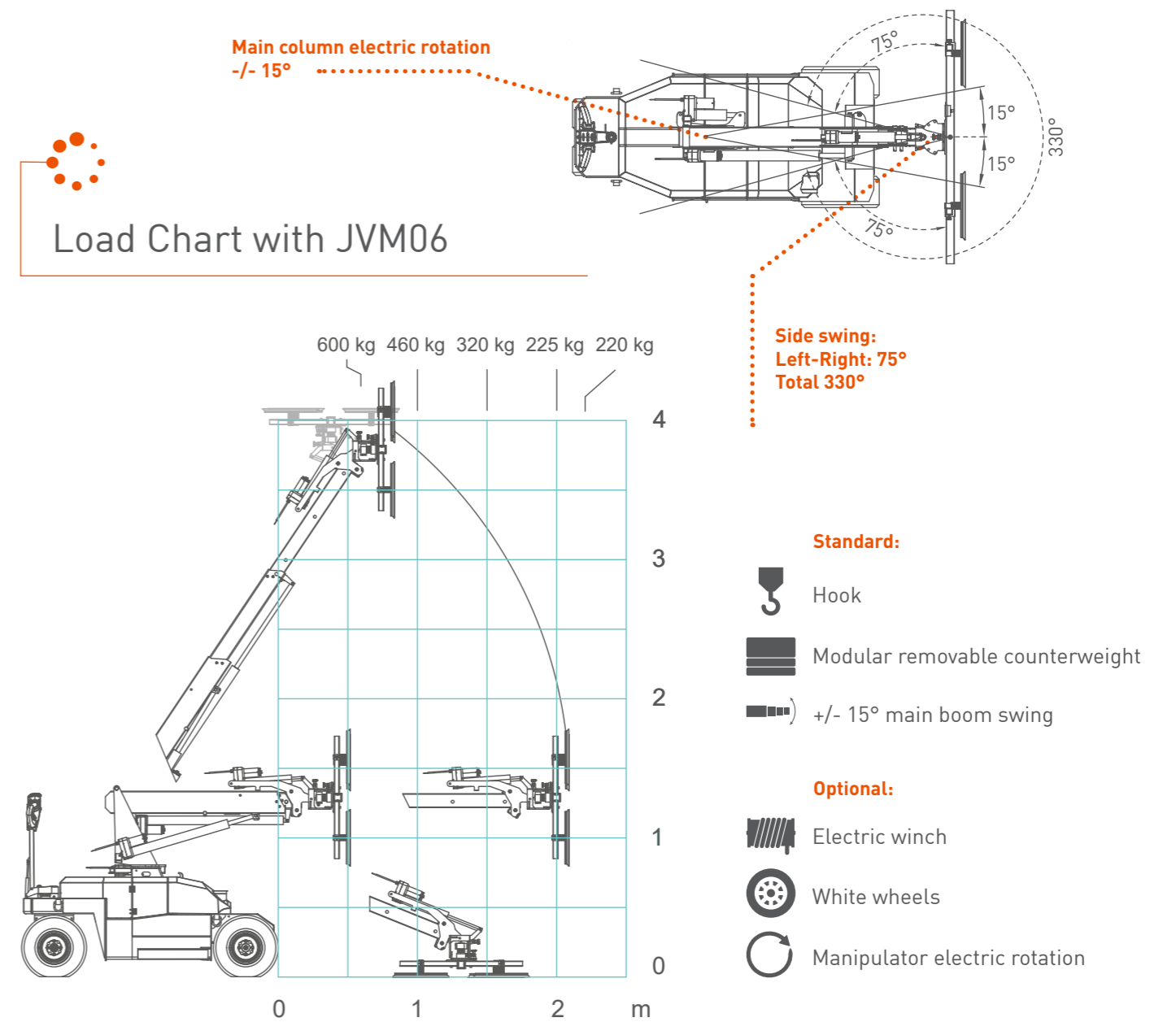
## Hook Mode Load Chart



## Dimensions with JVM06 Manipulator



## Load Chart with JVM06



Side swing:  
Left-Right: 75°  
Total 330°

### Standard:

- Hook
- Modular removable counterweight
- +/- 15° main boom swing

### Optional:

- Electric winch
- White wheels
- Manipulator electric rotation