

# SPX532

MAX 3200 kg

LxWxH 3255 x 770 x 1960 mm

max 17,3 m with jib

max 14,8 m with jib

The user-friendliest crane ever, featuring the most advanced stability system. A top level performance is ensured with this new generation mini crane.



## Technical Information

Dimensions	LxWxH	3255 x 770 x 1960 mm
Stab. Area		P.1 3800 x 3800 mm P.2 4400 x 4400 mm

Crane & Options Weights		Kg
	SPX532	2520
	Winch	50
	Single fall	20
	Multiple falls	50
	Outriggers	17
	Mats	17
	Mono-phase	50
	Three-phase	60
	Hydraulic Jib	210
	Runner Jib	50
	Manual ext.	15
	Pulley head	8

SPX532		
	KUBOTA D902-E4B	16,1kW 22HP
	Mono-phase	220V - 4 kW 400V - 5,5 kW
	Three-phase	230V - 5,5 kW

Speed		
		2.7 km/h

Gradeability		
		20° (36%)

Ground Pressure  
0.63 kg/cm<sup>2</sup>

Boom Length  
2.5 - 10.8 m | 35 sec.

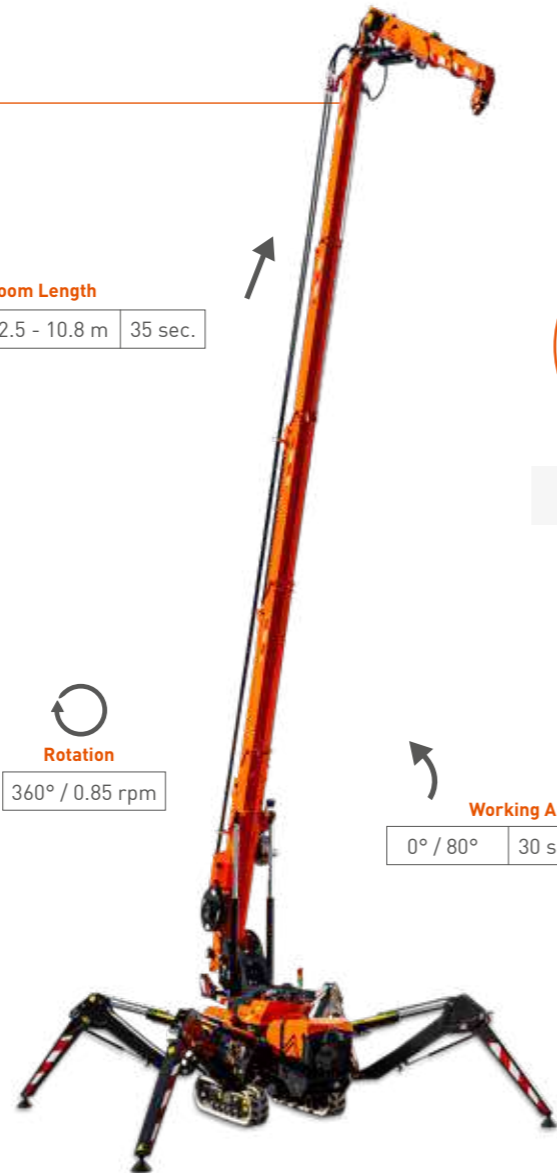
Rotation  
360° / 0.85 rpm

Working Angle  
0° / 80° | 30 sec.

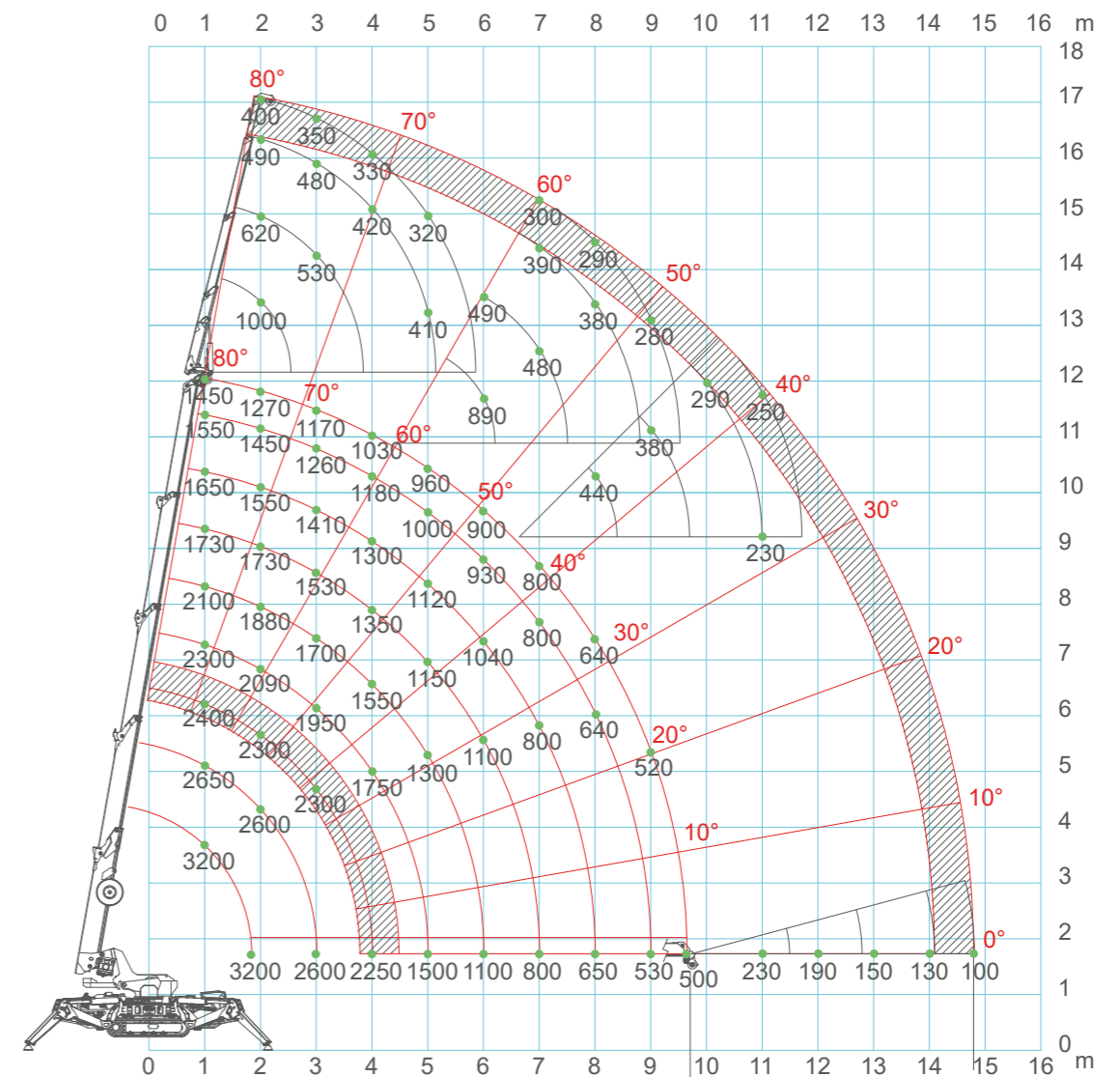


Radio Remote Control INCLUDED

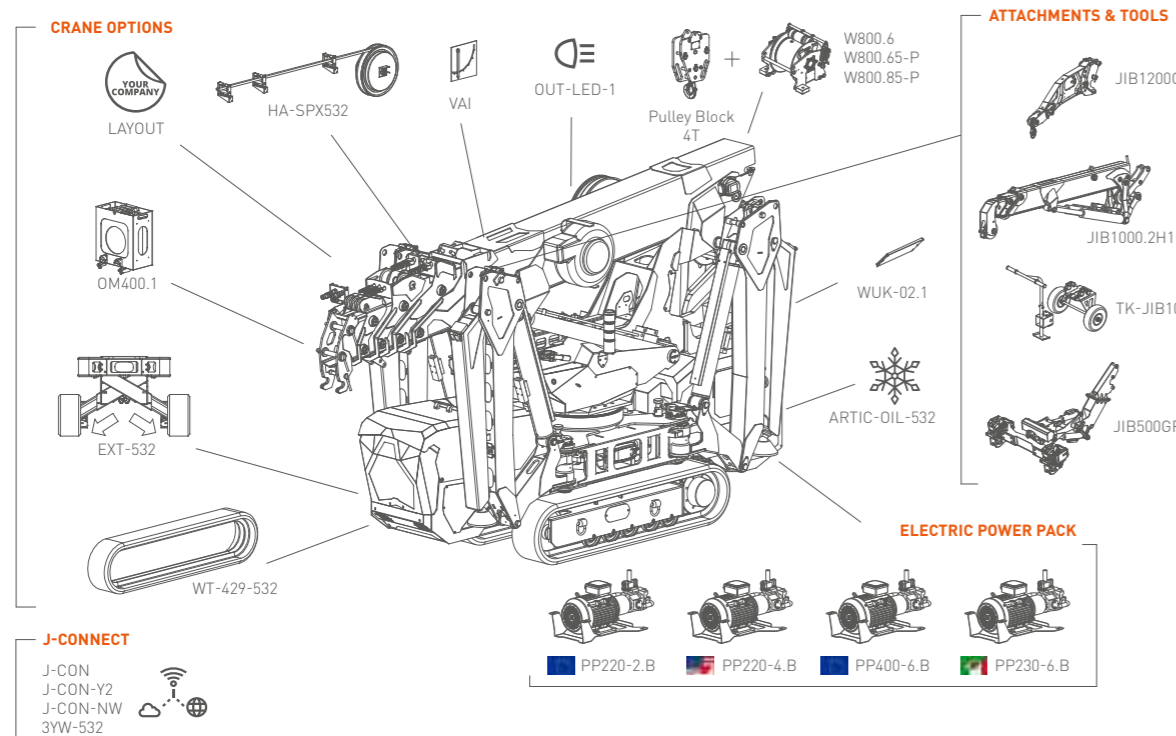
Loading Point  
MAX 3000 kg



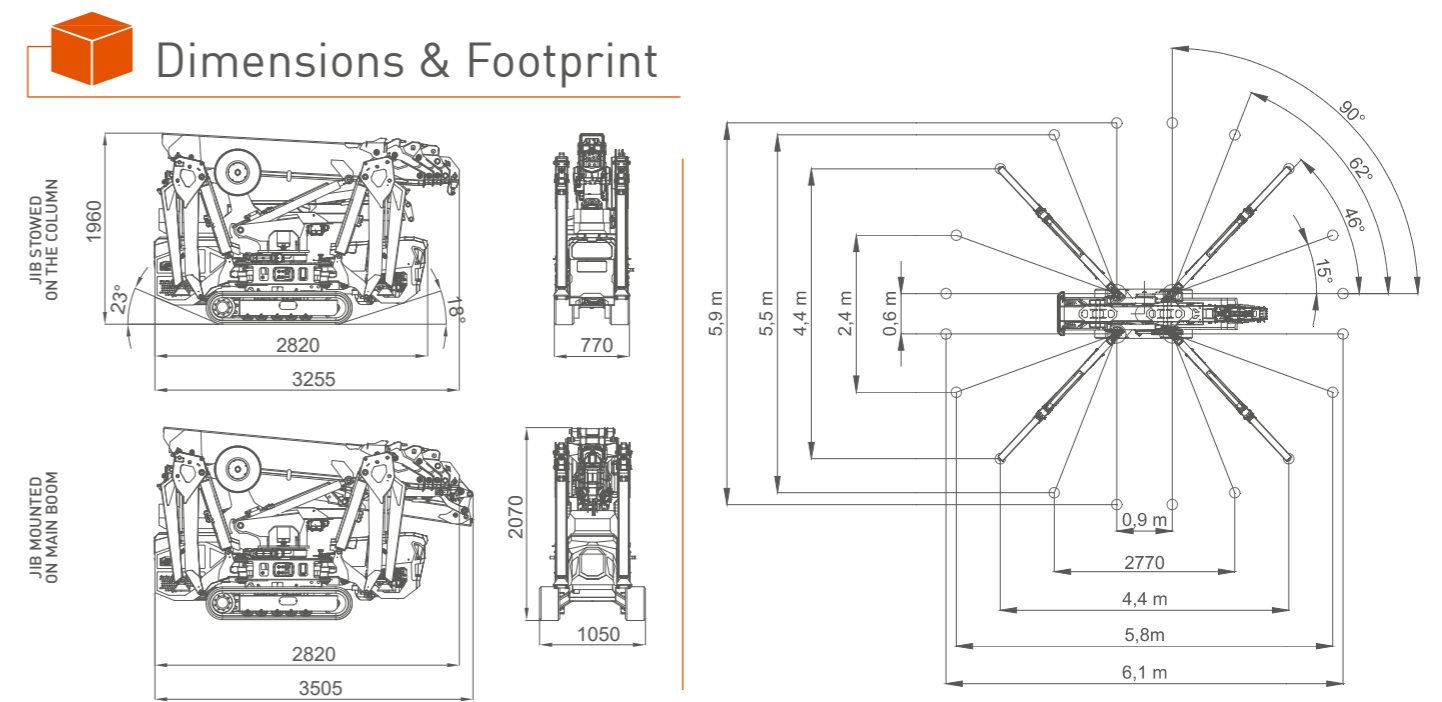
## Load Chart



## Crane Options



## Dimensions & Footprint



All specifications and features herein described can be changed without prior advice. All indicated data are indicative only and are not binding as crane performs differently depending on its use.